

eBOX800-841-FL

Rugged IP67-rated Fanless Embedded System with Intel® Atom® Processor E3845 1.91 GHz, VGA, 2 GbE LANs, 2 USB, 2 COM and 9 ~ 36 VDC

Features

- Fanless design with IP67-rated
- Intel® Atom® E3845 quad-core onboard
- 4 antenna opening with water proof design for WLAN & WWAN usage
- -30°C to +60°C wide operating temperature range
- 9 ~ 36 VDC wide range power input
- Flexible I/O for customized and mission-critical projects



Specifications

Standard Color	Black
Construction	Aluminum die-casting and heavy-duty steel, IP67
CPU	Intel® Atom® E3845 1.91 GHz
System Memory	1 x 204-pin DDR3L-1066/1333 SO-DIMM, up to 8GB
Chipset	SoC integrated
BIOS	AMI
System I/O Outlet	2 x RS-232/422/485 (COM1/2, M12) 1 x VGA (M12) 2 x 10/100/1000 Mbps Ethernet (M12) 2 x USB 2.0 (M12) 1 x 9 ~ 36 VDC power input (M12) 1 x ATX power switch w/indicator 4 x Antenna opening N Jack type w/ water proof design
Watchdog Timer	255 levels, 1~255 sec.
Storage	1 x 2.5" 9.5 mm HDD drive bay 1 x mSATA (optional) 1 x CFast™
Expansion Interface	1 x full-size PCI Express Mini Card slot (USB + PCI Express signal) 1 x half-size PCI Express Mini Card slot (USB + PCI Express signal) 1 x SIM slot
TPM	TPM 1.2 supported
System Indicator	1 x green LED for system power-on
Power Supply	9 ~ 36 VDC
Operating Temperature	-30°C ~ +60°C (-22°F ~ +140°F) (with E3845, W.T. SSD/DRAM)
Humidity	10% ~ 95% , non-condensing
Vibration Endurance	3 Grms with SSD (5 ~ 500Hz, X, Y, Z directions)
Dimensions	210 mm (8.27") x 366.83 mm (14.44") x 83 mm (3.27")
Weight (net/gross)	4.31 kg (9.5 lb)/5.1 kg (11.24 lb)
Certificate	CE
EOS	Win 10 IoT, WEBS, WES7, Linux

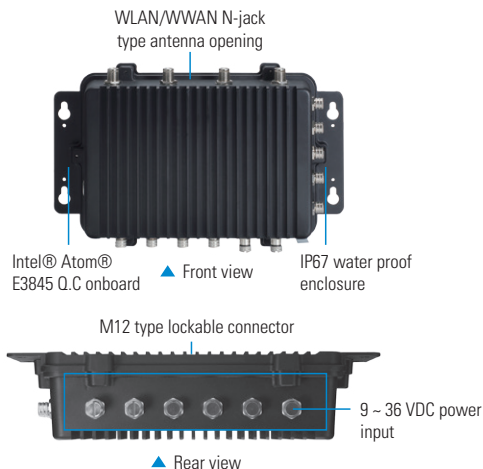
Packing List

- 1 x Quick manual
- 1 x Driver CD
- 1 x Water-proof PWR cable (100 cm)
- 1 x Water-proof VGA cable (180 cm)
- 1 x Water-proof USB 2.0 cable (180 cm)

Power Protection

DC Version

- OVP (over voltage protection)
- OCP (over current protection)
- SCP (short circuit protection)



Ordering Information

Standard

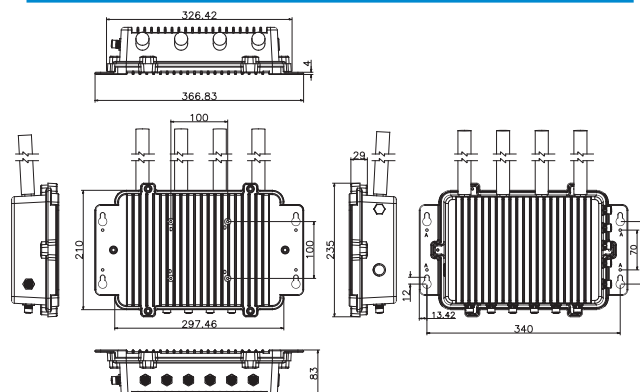
eBOX800-841-FL-DC	Rugged IP67-rated fanless embedded system with Intel® Atom® E3845 1.91 GHz, VGA, 2 GbE LANs, 2 USB, 2 COM and 9 ~ 36 VDC
-------------------	--

Optional

2.5" SATA HDD (W.T.)	40GB or above
2.5" SATA SSD (W.T.)	4GB or above
DDR3L SO-DIMM (W.T.)	2GB ~ 8GB
CFast™	8GB ~ 128GB
8816K8000A0E	LTE module
8816K8002A0E	Wi-Fi module
8816K8003A0E	3G module
594B8122100E	RS-232 Serial cable, 180 cm
594B8152710E	LAN cable, 180 cm
50966D45010E	24V 120W Adapter

*Specifications and certifications may vary according to various options.

Dimensions



Updated May. 02, 2018. * All specifications and photos are subject to change without notice.