

GOT712-837

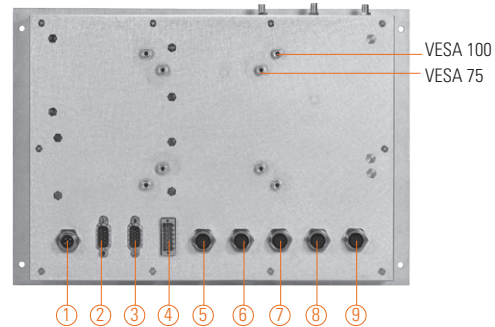
12.1" XGA TFT EN 50155 Railway Fanless Touch Panel PC with Intel® Atom™ Processor E3845 1.91 GHz (-25°C to +70°C)

Features

- Sunlight readable 12.1" XGA high brightness (800 nits)
- Fanless with Intel® Atom™ processor E3845 1.91 GHz
- All lockable connectors design
- Auto-dimming for different environment
- 25°C to +70°C wide temperature range
- EN 50155 certified for railway application



▲ Side view



1. DC for power input with isolation 1.5KV
2. CAN Bus with isolation 1.5KV
3. Audio (Line-out, Line-in, Speaker-out)
4. DIO (6-IN/2-OUT with isolation 1.5KV)
5. USB 2.0 x 2
6. COM 2 (RS-232/422/485 with isolation 1.5KV)
7. COM 1 (RS-232/422/485 with isolation 1.5KV)
8. LAN 2 (Gigabit LAN with isolation 1.5KV)
9. LAN 1 (Gigabit LAN with isolation 1.5KV)



Introduction

The EN 50155 railway touch panel PC, GOT712-837, is equipped with a 12.1-inch XGA TFT LCD display with high brightness LED backlight (800 nits), which allows a train operator to easily read any operational status messages, even under direct sunlight. Design for ease of use and maintenance, this all-in-one 12.1" railway touch panel PC also has an alternative keypad control on the front panel for easy access and cleaning purposes. This feature-rich panel PC has an IP65-rated front bezel, M12 connectors and is EN 50155 certified.

Wide Temperature Range (-25°C to +70°C)

The Intel® Atom™-based railway panel PC, GOT712-837, applies unique extended temperature technology with wide temperature range support as well as fanless operation. It also has a high brightness display and compact design for transport heavy-duty environment.

Designed for Railway Application

The Axiomtek GOT712-837 is particularly suitable for demanding HMI applications in the railway sector, including tasks like monitoring and controlling speed, temperature, and security, or for fleet management. To ensure the panel reliable operation in a variety of different locations, the 12.1-inch railway panel PC supports various mounting options: panel mount, wall mount, VESA arm and desktop stand. Moreover, it is also ready for Windows® 8.1 or 7.

Specifications

Front Bezel	IP65, NEMA 4 rugged protection, aluminum front bezel	
LCD Panel	Display Type	12.1" XGA TFT LCD
	Brightness (cd/m ²)	800 nits
	Resolution	1024 x 768
	Viewing Angle (H/V)	160°/160°
Main System	CPU	Intel® Atom™ processor E3845 1.91 GHz (Bay Trail)
	Chipset	SoC Integrated
	System Memory	DDR3 4GB (default) or 8GB memory onboard
	BIOS	AMI with Axiomtek standard features; such as SmartView, Ethernet Boot ROM (RPL & PXE), customer CMOS backup
	Storage	16GB flash onboard 1 x mSATA
	Watchdog Timer	255 levels, 1 ~ 255 sec.
	Onboard Graphics	Integrated in Intel® GFX

Specifications

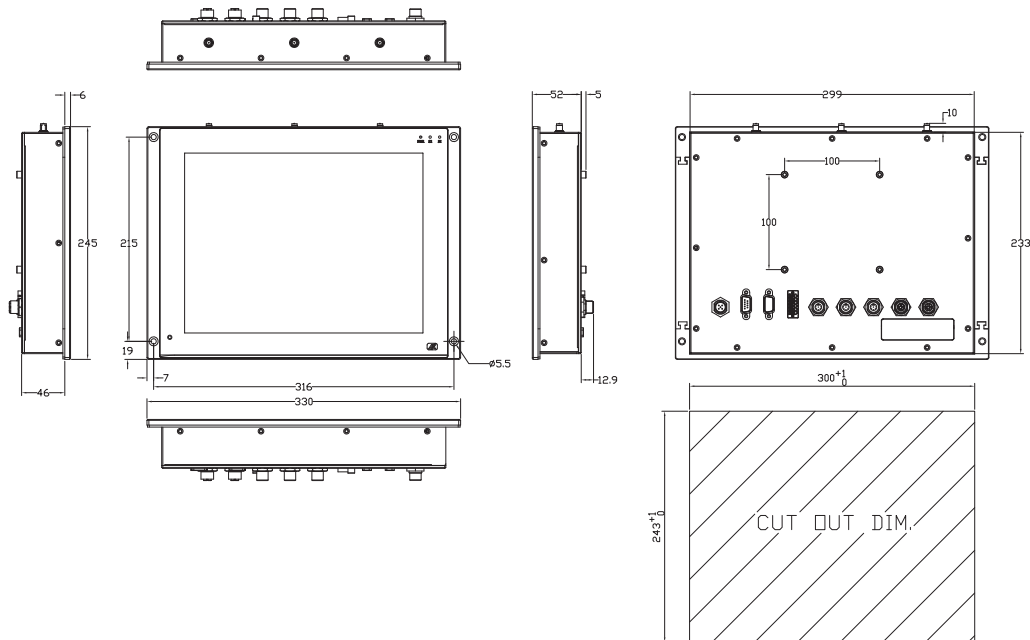
I/O Connector	2 x RS-232/422/485 with isolation 1.5KV (M12, A-coded) 2 x RJ-45 for Gigabit LAN with isolation 1.5KV (M12, X-coded) 2 x USB 2.0 (M12, A-coded) 1 x DC for power input with isolation 1.5KV (M12, A-coded) 1 x Audio: Line-out, Line-in, Speaker-out (D-sub) 1 x DIO (6 input/2 output) with isolation 1.5KV (phoenix type) 1 x CAN bus with isolation 1.5KV (D-sub)
Expansion Interface	2 x PCI Express Mini Card slot
Flat Panel	Alternative 5-wire resistive touch panel or keyboard
Power Supply	16.8V to 30V DC or 77V to 137.5V DC 10ms hold up time (S2)
Power Consumption	35 W
Dimensions	330 mm (13") (W) x 64.4 mm (2.53") (D) x 245 mm (9.65") (H)
Packing Dimensions	510 mm (20.08") (W) x 186 mm (7.32") (D) x 532 mm (20.94") (H)
Weight (net/gross)	5.54 kg (12.21 lb)/3 kg (6.61 lb)
Environment	Operating temperature: -25°C ~ +70°C (-13°F ~ +158°F) Relative humidity: 10% ~ 95% @ 40°C, non-condensing
Certificate	EN 50155, EN 50121-3-2 EMC, EN 61373 (shock/vibration), EN 45545 (fire) certified

* W.T.: Wide Temperature. All W.T. supported products have to be sorted by Axiomtek.

Optional Accessories

822B7100060E	GOT712 3G+GPS Kit
8812B7100A0E	GOT712 Wi-Fi Kit
594B8122820E	M12 A-coded USB cable
594B7102100E	RS-232 cable
594B7102700E	M12 X-coded LAN cable

Dimensions



Ordering Information

24VDC Power Input (14.4V to 40VDC)

GOT712-837-R-E3845-24VDC	12" XGA EN 50155 railway fanless touch panel computer with Intel® Atom™ E3845, sunlight readable CD (800 nits), 5-wire resistive touch screen and 24 VDC power input
--------------------------	--

110VDC Power Input (66V to 154VDC)

GOT712-837-R-E3845-110VDC	12" XGA EN 50155 railway fanless touch panel computer with Intel® Atom™ E3845, sunlight readable LCD (800 nits), 5-wire resistive touch screen and 110 VDC power input
---------------------------	--

* Specification and certifications are based on requirements and may vary.

Optional EOS Installation

WES 7

WE8S

Windows® 10 (IoT)

Optional OS Installation

Windows® 7

Windows® 8/8.1

Windows® 10



▲ Touch without keypad version

