

IFB122-FL-DC Quick Installation Guide

Checklist

- ✓ IFB122-FL System Unit x 1
- ✓ IFB122-FL Quick Installation Guide x 1
- ✓ Din-rail Kit x1
- ✓ Power terminal block x 1
- ✓ DIO terminal block x 1
- ✓ Console cable x 1

Note: Please contact your local vendors if any damaged or missing items.

Note: Please download below data from Axiomtek's website as below list if you have the demand.

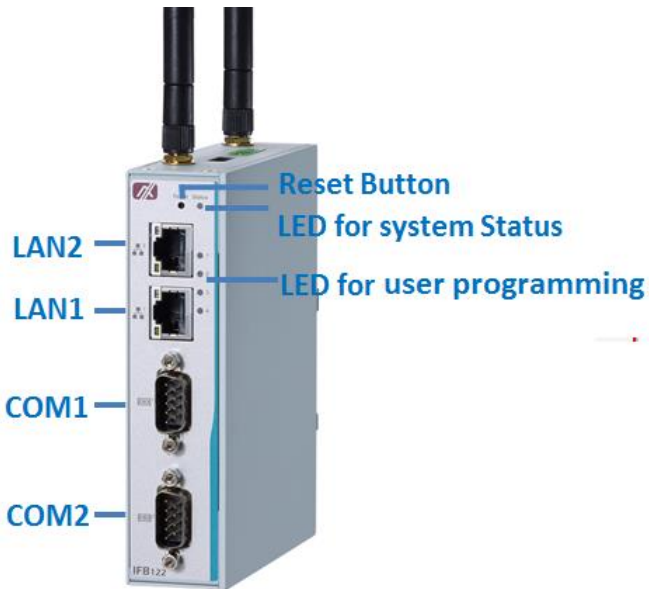
- *BSP support package.*
- *Software User's Manual*
- *Hardware User's Manual*

<http://www.axiomtek.com/Default.aspx?MenuId=Products&FunctionId=ProductView&ItemId=17865>

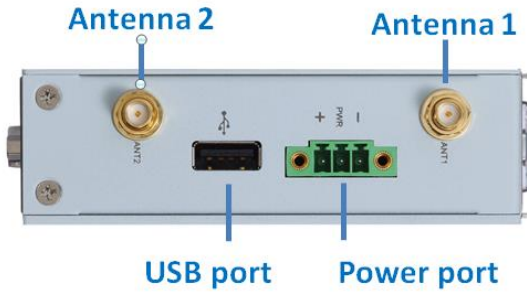
I/O Outlets

The following figures show you I/O outlets on front view and top view of the **IFB122-FL-DC**

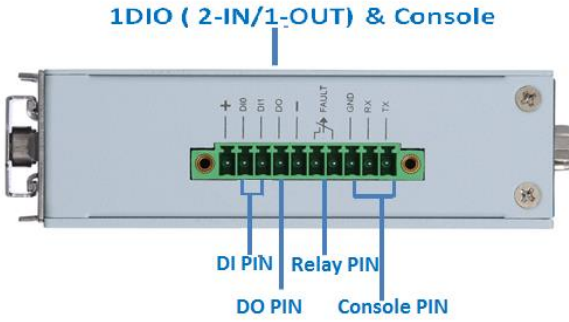
- **Front View**



- **Top View**



- **Bottom View**



Dimensions

